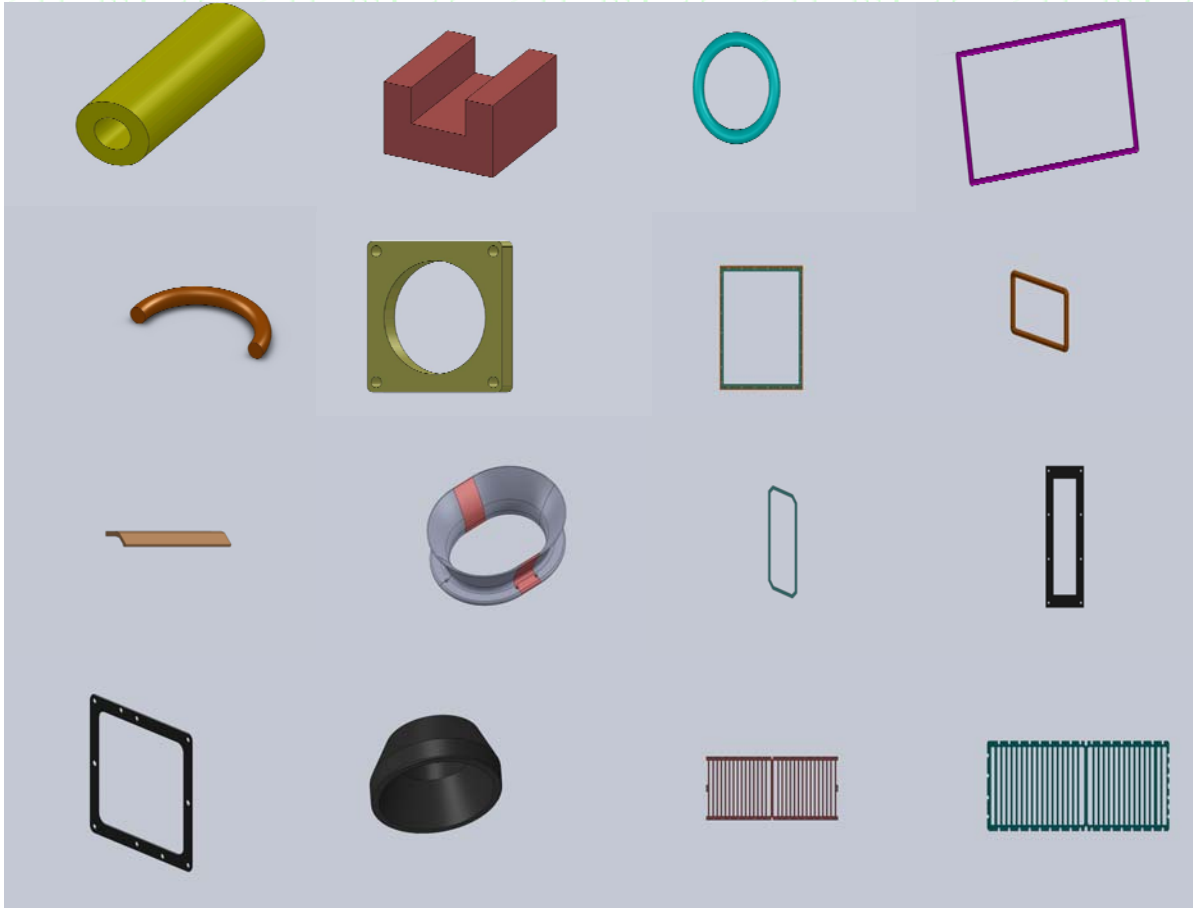


eShields RubberCon Products

EMI CONDUCTIVE RUBBER, LLC

ADVANCED SHIELDING MATERIALS FOR AEROSPACE - ELECTRONICS - MEDICALS

CAT 2016



[HTTP://www.emiconductiverubberllc.com](http://www.emiconductiverubberllc.com)

Email: emigaskets@gmail.com

(714)414-0977 ** (714)414-1179 ** (714)582-7718

- ➡ Conductive Elastomer Gaskets, O-Rings, D-Rings
- ➡ Seals, Custom Gaskets, Sheets,
- ➡ Custom Molded Parts, Extruded Parts
- ➡ MIL-DTL-83528 O-Rings, Connector Gaskets...



[EMI CONDUCTIVE RUBBER, LLC](#)

2841 SATURN STREET STE. B

BREA, CA 92821

714-657-8819 *** 714-414-0977 *** 714-582-7718

<http://www.emiconductiverubberllc.com>

Table of Contents:

1. Cover Page.....	Page 1
2. Table of Contents.....	Page 2
3. Letter from the company president.....	Page 3
4. Company Mission Statement & Capability.....	Page 4
5. Specifications.....	Pages 5-6
6. ECR Conductive Elastomers.....	Page 7
7. Sheet Stocks - Dimensions.....	Pages 8-9
8. Conductive Gasket Materials.....	Page 10
9. EMI/RFI Gaskets.....	Page 11
10. Extruded Solid "O" Cord.....	Page 12
11. O-Rings (STD)	Page 13
12. Connectors Gaskets.....	Page 14
13. Extruded Solid-D Strips.....	Page 15
14. O-Rings (Non-STD).....	Page 16
15. Extruded Rectangular Strips.....	Page 17
16. Extruded Hollow -D Strips.....	Page 18
17. Extruded Hollow -P Strips.....	Page 19
18 Extruded U-Channel Strips.....	Page 20
19. Extruded Hollow –O Strips.....	Page 21
20. Flat Circular Washers.....	Page 22

EMI CONDUCTIVE RUBBER, LLC**2841 Saturn Street Ste. B****Brea, CA 92821****(714)414-0977 (P) – (714)582-7718 (P) - (714)657-8819 (P) - (714)414-1179 (F)**Email: emigaskets@gmail.com[HTTP://www.emiconductiverubberllc.com](http://www.emiconductiverubberllc.com)

Dear Customers,

It has been 5-1/2 years since we started this business of making conductive rubber products and I'm proudly to inform you that we're doing extremely well in term of growing business and taking good care of our customers. We have made a major milestone along the journey. We just moved into a new manufacturing plant in the city of Brea as part of the business development plan. This year, we will have the new catalog 2016 which will include more new products and current company contact information. We're also in the final planning stage to add more equipments and expanding our professional team to meet the new challenge of 2016 and beyond. We're committed to working hard on ISO-9001 this year going forward. Finally, I want to take this opportunity to thanks to our loyal customers who have been supporting us and I'm looking forward to best serving all of you.

Thanks and Best Regards,

Sonny Tran

Technical Director/President



MISSION STATEMENT:

ECR (EMI CONDUCTIVE RUBBER, LLC) is committed to providing customers with high quality conductive gaskets, seals, molded parts, extruded parts and EMI shielding products that meet or exceed their expectations. We always strike to be the best supplier in business. We have got a team of dedicated staff that was experienced with the conductive rubber business in many years. We continue to invest heavily in our equipment and training to produce highest quality products in business.

CAPABILITY:

Laboratory:

- * **Instron Tensile Machine: Tensile Strength, Elongation, Tear Strength, Peel Test, etc...**
- * **Digital MicroOhmmeter : Volume Resistivity, Surface Resistivity**
- * **Force Gauge: Compression/Deflection; Volume Resistivity (as received)**
- * **Oven: Fluid Immersion; Compression Set, High Temp Test**
- * **Density Tester: Specific Gravity**

Molding Press:

- * **200 Tons Compression Molding Press**
- * **30 Tons Lab Press**
- * **50 Ton Compression Press**
- * **120 Tons RAM Extruder**

Mixers:

- * **6 x 13 2-Roll Mill**
- * **6 x 12 2-Roll Mill**

Postcure Oven:

- * **4-tray Oven**
- * **Lab Oven**

QA & Engineering:

- * **Cad Design: CATIA, SOLIDWORKS, UG, PRO-E, MASTER CAM**
- * **Custom Mold Designs, Extrusion Die Designs, Gasket Designs**
- * **Material Testing, Mechanical and Electrical Testing**
- * **Prototype, First Article and In-process Inspections on all products**
- * **Final Inspection Approval prior to shipping**
- * **Short Run, Production Run, Turn Key...**



ECR Material no.				ECR-101	ECR-102	ECR-103	ECR-104	ECR-105	ECR-106	ECR-107	ECR-108	ECR-109	ECR-110	ECR-111	ECR-112
Filler Type				Ag/Cu	Ag/Al	Ag/Cu	Ag/Al	Ag	Ag	Ag/Cu	Ag	Ag	Ag/Cu	Ag/Ni	Ag/Glass
Based Material				SIL	SIL	FSIL	FSIL	SIL	FSIL	SIL	SIL	SIL	SIL	SIL	SIL
OPERATING TEMP RANGE	°C	MIN	Test Method	-55	-55	-55	-55	-55	-65	-45	-55	-55	-45	-55	-55
		MAX		+125	+160	+125	+160	+160	+160	+125	+160	+160	+125	+125	+160
PHYSICAL PROPERTIES															
SPECIFIC GRAVITY	g/cc	± .25	ASTM D792	3.5	2	4	2	3.5	4	4.75	4	1.7	3.54	4	1.9
HARDNESS	Shore A	± 7	ASTM D2240	65	65	75	70	65	75	80	80	45	85	75	65
COMPRESSION/DEFLECTION	%	MIN	ASTM D575	3.5	3.5	3.5	3.5	2.5	3.5	2.5	2.5	8	2.5	3.5	3.5
TENSILE STRENGTH	PSI	MIN	ASTM D412 (DIE C)	200	200	180	180	300	250	600	400	150	400	200	200
ELONGATION	%	MIN	ASTM D412 (DIE C)	100	100	100	60	200	100	20	90	50	100	100	100
		MAX		300	300	300	260	500	300	N/A	290	250	300	300	300
COMPRESSION SET	%	MAX	ASTM D395	32	32	35	30	45	60	N/A	60	35	35	32	30
TEAR STRENGTH	PPI	MIN	ASTM D624 (DIE C)	25	30	35	35	50	40	70	60	20	40	30	30
ELECTRICAL PROPERTIES															
VOLUME RESISTIVITY (as received)	(Ω-CM)	MAX	MIL-DTL-83528C	0.004	0.008	0.01	0.012	0.002	0.002	0.007	0.005	0.01	0.005	0.005	0.006
SHIELDING EFFECTIVENESS (30 Mhz-10 Ghz)	dB	MIN	MIL-DTL-83528C MIL-STD-285	116	114	114	118	124	124	110	110	80	120	125	100
30 MHz				115	115	115	111	118	119	115	70	60	114	120	118
100 MHz (E-Field)				113	105	117	126	131	127	131	120	100	132	126	131
400 MHz (E-Field)				114	112	110	126	123	128	143	120	100	117	133	134
2 GHz (Plane Wave)				125	123	114	117	133	134	124	120	90	113	132	132
10 GHz (Plane Wave)				114	114	114	109	113	113	112	120	80	124	112	112
ELECTRICAL STABILITY DURING VIBRATION (Ω-CM)	DURING	MAX	MIL-DTL-83528C	0.006	0.012	0.015	0.015	0.01	0.01	0.01	0.006	0.015	0.01	0.01	0.009
	AFTER			0.004	0.008	0.01	0.012	0.002	0.002	0.007	0.005	0.01	0.005	0.005	0.006
ELECTRICAL STABILITY AFTER BREAK	(Ω-CM)	MAX	MIL-DTL-83528C	0.008	0.015	0.015	0.015	0.01	0.01	N/A	0.006	0.02	0.01	0.01	0.009
UPPER TEMPERATURE	(°C)	MAX	ASTM D1329	+125	+160	+125	+160	+160	+160	+125	+160	+160	+125	+125	+160
LOW TEMP FLEX (°C)	TR10	MIN	ASTM D1329	-55	-55	-55	-55	-55	-65	N/A	-55	-55	-45	-55	-55
	TR70			-55	-55	-40	-40	-40	-40	N/A	-40	-55	-35	-55	-55
VOLUME RESISTIVITY (after life testing)	(Ω-CM)	MAX	MIL-DTL-83528C	0.01	0.01	0.015	0.015	0.01	0.01	0.01	0.008	0.015	0.01	0.01	0.015
VOLUME RESISTIVITY AFTER ELECTROMAGNETIC PULSE (EMP) EXPOSURE	(Ω-CM)	MAX	MIL-DTL-83528C	0.01	0.01	0.015	0.015	0.01	0.01	0.01	0.008	0.015	0.01	0.01	0.015
FLUID CHARACTERISTICS															
FLUID IMMERSION	-	-	MIL-DTL-83528C	N/S	N/S	SUR	SUR	N/S	SUR	N/S	N/S	N/S	N/S	N/S	N/S

ECR Material no.				ECR-213	ECR-214	ECR-215	ECR-216	ECR-217	ECR-218	ECR-219	ECR-222	ECR-223	
Filler Type				Ni/C	Ag/Al	Ni/C	Ag/Ni	Ag/Al	Ni/C	Ni/C	C	C	
Based Material				SIL	SIL	FSIL	EPDM	EPDM	EPDM	POLYURETHANE	EPDM	SIL	
OPERATING TEMP RANGE	°C	MIN	Test Method	-55	-55	-45	-40	-40	-40	-50	-55	-50	
		MAX		+150	+160	+125	+125	+125	+125	+160	+160	+160	
PHYSICAL PROPERTIES													
SPECIFIC GRAVITY	g/cc	± .25	ASTM D792	1.90	2	2.20	3.70	2.20	2.20	2.53	4	1.3	
HARDNESS	Shore A	± 7	ASTM D2240	60	75	70	75	75	75	93±3	80	70	
COMPRESSION/DEFLECTION	%	MIN	ASTM D575	3.5	2.5	3.0	3.5	3.0	2.0	2.0	2.5	2.0	
TENSILE STRENGTH	PSI	MIN	ASTM D412 (DIE C)	200	180	190	200	200	200	500	400	600	
ELONGATION	%	MIN	ASTM D412 (DIE C)	100	60	60	100	60	100	130	90	100	
		MAX		300	260	260	300	260	300	NA	290	300	
COMPRESSION SET	%	MAX	ASTM D395	30	30	40	40	40	40	40	60	40	
TEAR STRENGTH	PPI	MIN	ASTM D624 (DIE C)	35	35	40	60	50	50	50	60	50	
ELECTRICAL PROPERTIES													
VOLUME RESISTIVITY (as received)	(Ω-CM)	MAX	MIL-DTL-83528C	0.100	0.012	0.100	0.015	0.012	0.100	.35	20	5.0	
SHIELDING EFFECTIVENESS (200 KHz-10 GHz)	dB	MIN	MIL-DTL-83528C MIL-STD-285	100	100	100	100	95	75	NA	50	50	
200 KHz				—	—	—	—	—	—	—	—	—	—
100 MHz (E-Field)				100	100	100	100	100	80	NA	70	70	
500 MHz (E-Field)				100	100	100	100	90	80	NA	60	60	
2 GHz (Plane Wave)				100	100	100	100	90	70	NA	50	50	
10 GHz (Plane Wave)				100	100	100	100	90	70	NA	30	30	
ELECTRICAL STABILITY DURING VIBRATION (Ω-CM)	DURING	MAX	MIL-DTL-83528C	.100	0.015	.100	NA	NA	0.01	NA	NA	NA	
	AFTER			.100	0.012	.100	NA	NA	0.002	NA	NA	NA	
ELECTRICAL STABILITY AFTER BREAK	(Ω-CM)	MAX	MIL-DTL-83528C	.100	0.012	.100	NA	NA	0.01	N/A	NA	NA	
UPPER TEMPERATURE	(°C)	MAX	ASTM D1329	+125	+160	+125	+125	+160	+160	+125	+160	+160	
LOW TEMP FLEX (°C)	TR10	MIN	ASTM D1329	-55	-55	-55	-55	-55	-65	N/A	-55	-55	
	TR70			-55	-55	-40	-40	-40	-40	N/A	-40	-55	
VOLUME RESISTIVITY (after life testing)	(Ω-CM)	MAX	MIL-DTL-83528C	0.100	0.015	0.015	NA	NA	0.01	NA	NA	5.00	
VOLUME RESISTIVITY AFTER ELECTROMAGNETIC PULSE (EMP) EXPOSURE	(Ω-CM)	MAX	MIL-DTL-83528C	.100	0.015	0.015	NA	NA	0.01	NA	NA	NA	
FLUID CHARACTERISTICS													
FLUID IMMERSION	-	-	MIL-DTL-83528C	N/S	N/S	SUR	NA	NA	SUR	N/S	N/S	N/S	

BASED POLYMERS	FILLER	COMPOUND DESCRIPTION	ECR COMPOUNDS
SILICONE	Ag/Cu	Silver plated Copper filled	ECR-101
	Ag/Al	Silver plated Aluminum filled	ECR-102
	Ag	Medium Duro Pure Silver	ECR-105
	Ag	High Duro Pure Silver	ECR-108
	Ag	Low Duro Pure Silver	ECR-109
	Ag/Cu	High Duro Silver plated Copper filled	ECR-110
	Ag/Ni	Silver plated Nickel filled	ECR-111
	Ag/Glass	Silver plated Glass filled	ECR-112
	Ni/C	Nickel plated Graphite Filled	ECR-213
	Ni/Al	Nickel plated Aluminum Filled	ECR-107
	Ag/Al	High Duro Silver plated Aluminum filled	ECR-214
FLUROSILICONE	Ag/Cu	Silver plated Copper filled	ECR-103
	Ag/Al	Silver plated Aluminum filled	ECR-104
	Ag	Pure Silver filled	ECR-106
	Ni/Al	Nickel plated Aluminum Filled	ECR-201
	Ni/C	Nickel plated Graphite filled	ECR-215
EPDM	Ag/Ni	Silver plated Nickel filled	ECR-216
	Ag/Al	Silver plated Aluminum filled	ECR-217
	Ni/Al	Nickel plated Aluminum Filled	ECR-200
	Ni/C	Nickel plated Graphite filled	ECR-218
POLYURETHANE	Ni/C	Nickel plated Graphite filled	ECR-219
VITON	C	Carbonyl plated Iron Filled	ECR-220

NOTE:

WE COMPOUND TO FIT YOUR APPLICATIONS. PLEASE SPECIFY YOUR REQUIREMENTS AND CALL US at 714-582-7718 / 714-414-0977 / 714-657-8819 AND EMAIL AT : emigaskeets@gmail.com



SHEET STOCKS	DIMENSIONS						
	P/N	0.020	0.032	0.045	0.062	0.090	0.125
ECR101-SH000-SCSIL-XXXXXXX	6X6	6X6	6X6	6X6	6X6	6X6	6X6
	9X9	9X9	9X9	9X9	9X9	9X9	9X9
	11 X 11	11 X 11	11 X 11	11 X 11	11 X 11	11 X 11	11 X 11
	16 X 16	16 X 16	16 X 16	16 X 16	16 X 16	16 X 16	16 X 16
ECR102-SH000-SASIL-XXXXXXX	6X6	6X6	6X6	6X6	6X6	6X6	6X6
	9X9	9X9	9X9	9X9	9X9	9X9	9X9
	11 X 11	11 X 11	11 X 11	11 X 11	11 X 11	11 X 11	11 X 11
	16 X 16	16 X 16	16 X 16	16 X 16	16 X 16	16 X 16	16 X 16
ECR103-SH000-SCFSIL-XXXXXXX	6X6	6X6	6X6	6X6	6X6	6X6	6X6
	9X9	9X9	9X9	9X9	9X9	9X9	9X9
	11 X 11	11 X 11	11 X 11	11 X 11	11 X 11	11 X 11	11 X 11
	16 X 16	16 X 16	16 X 16	16 X 16	16 X 16	16 X 16	16 X 16
ECR104-SH000-SAFSIL-XXXXXXX	6X6	6X6	6X6	6X6	6X6	6X6	6X6
	9X9	9X9	9X9	9X9	9X9	9X9	9X9
	11 X 11	11 X 11	11 X 11	11 X 11	11 X 11	11 X 11	11 X 11
	16 X 16	16 X 16	16 X 16	16 X 16	16 X 16	16 X 16	16 X 16
ECR105-SH000-SSIL-XXXXXXX	6X6	6X6	6X6	6X6	6X6	6X6	6X6
	9X9	9X9	9X9	9X9	9X9	9X9	9X9
	11 X 11	11 X 11	11 X 11	11 X 11	11 X 11	11 X 11	11 X 11
	16 X 16	16 X 16	16 X 16	16 X 16	16 X 16	16 X 16	16 X 16
ECR106-SH000-SFSIL-XXXXXXX	6X6	6X6	6X6	6X6	6X6	6X6	6X6
	9X9	9X9	9X9	9X9	9X9	9X9	9X9
	11 X 11	11 X 11	11 X 11	11 X 11	11 X 11	11 X 11	11 X 11
	16 X 16	16 X 16	16 X 16	16 X 16	16 X 16	16 X 16	16 X 16
ECR110-SH000-SCHDSIL-XXXXXXX	6X6	6X6	6X6	6X6	6X6	6X6	6X6
	9X9	9X9	9X9	9X9	9X9	9X9	9X9
	11 X 11	11 X 11	11 X 11	11 X 11	11 X 11	11 X 11	11 X 11
	16 X 16	16 X 16	16 X 16	16 X 16	16 X 16	16 X 16	16 X 16
ECR111-SH000-SNSIL-XXXXXXX	6X6	6X6	6X6	6X6	6X6	6X6	6X6
	9X9	9X9	9X9	9X9	9X9	9X9	9X9
	11 X 11	11 X 11	11 X 11	11 X 11	11 X 11	11 X 11	11 X 11
	16 X 16	16 X 16	16 X 16	16 X 16	16 X 16	16 X 16	16 X 16
ECR112-SH000-SGSIL-XXXXXXX	6X6	6X6	6X6	6X6	6X6	6X6	6X6
	9X9	9X9	9X9	9X9	9X9	9X9	9X9
	11 X 11	11 X 11	11 X 11	11 X 11	11 X 11	11 X 11	11 X 11
	16 X 16	16 X 16	16 X 16	16 X 16	16 X 16	16 X 16	16 X 16
ECR213-SH000-NICSIL-XXXXXXX	6X6	6X6	6X6	6X6	6X6	6X6	6X6
	9X9	9X9	9X9	9X9	9X9	9X9	9X9
	11 X 11	11 X 11	11 X 11	11 X 11	11 X 11	11 X 11	11 X 11
	16 X 16	16 X 16	16 X 16	16 X 16	16 X 16	16 X 16	16 X 16
ECR215-SH000-NICFSIL-XXXXXXX	6X6	6X6	6X6	6X6	6X6	6X6	6X6
	9X9	9X9	9X9	9X9	9X9	9X9	9X9
	11 X 11	11 X 11	11 X 11	11 X 11	11 X 11	11 X 11	11 X 11
	16 X 16	16 X 16	16 X 16	16 X 16	16 X 16	16 X 16	16 X 16
ECR214-SH000-SAHDSIL-XXXXXXX	6X6	6X6	6X6	6X6	6X6	6X6	6X6
	9X9	9X9	9X9	9X9	9X9	9X9	9X9
	11 X 11	11 X 11	11 X 11	11 X 11	11 X 11	11 X 11	11 X 11
	16 X 16	16 X 16	16 X 16	16 X 16	16 X 16	16 X 16	16 X 16
ECR216-SH000-SNEPDM-XXXXXXX	6X6	6X6	6X6	6X6	6X6	6X6	6X6
	9X9	9X9	9X9	9X9	9X9	9X9	9X9
	11 X 11	11 X 11	11 X 11	11 X 11	11 X 11	11 X 11	11 X 11
	16 X 16	16 X 16	16 X 16	16 X 16	16 X 16	16 X 16	16 X 16
ECR217-SH000-SAEPDM-XXXXXXX	6X6	6X6	6X6	6X6	6X6	6X6	6X6
	9X9	9X9	9X9	9X9	9X9	9X9	9X9
	11 X 11	11 X 11	11 X 11	11 X 11	11 X 11	11 X 11	11 X 11
	16 X 16	16 X 16	16 X 16	16 X 16	16 X 16	16 X 16	16 X 16
ECR218-SH000-NICEPDM-XXXXXXX	6X6	6X6	6X6	6X6	6X6	6X6	6X6
	9X9	9X9	9X9	9X9	9X9	9X9	9X9
	11 X 11	11 X 11	11 X 11	11 X 11	11 X 11	11 X 11	11 X 11
	16 X 16	16 X 16	16 X 16	16 X 16	16 X 16	16 X 16	16 X 16

Example: for 0.032" thick x 11W x 11L sheet (Silver Coated Copper Filled Silicone)

Order Part number: ECR101-SH000-SCSIL-1111032

NOTE:

SEND OR EMAIL YOUR RFQ TO: 714-657-8819 / 714-582-7718 / 714-414-0977 EMAIL: emigaskets@gmail.com.



SHEET STOCKS P/N	PRICING (\$100 MINIMUM ORDER)					
	0.020	0.032	0.045	0.062	0.090	0.125
ECR107-SH000-NIAL-XXXXXXX	6X6	6X6	6X6	6X6	6X6	6X6
	9X9	9X9	9X9	9X9	9X9	9X9
	11 X 11	11 X 11	11 X 11	11 X 11	11 X 11	11 X 11
	16 X 16	16 X 16	16 X 16	16 X 16	16 X 16	16 X 16
ECR200-SH000-NIALEPDM-XXXXXXX	6X6	6X6	6X6	6X6	6X6	6X6
	9X9	9X9	9X9	9X9	9X9	9X9
	11 X 11	11 X 11	11 X 11	11 X 11	11 X 11	11 X 11
	16 X 16	16 X 16	16 X 16	16 X 16	16 X 16	16 X 16
ECR201-SH000-NIALFSIL-XXXXXXX	6X6	6X6	6X6	6X6	6X6	6X6
	9X9	9X9	9X9	9X9	9X9	9X9
	11 X 11	11 X 11	11 X 11	11 X 11	11 X 11	11 X 11
	16 X 16	16 X 16	16 X 16	16 X 16	16 X 16	16 X 16
ECR22570-SH000-CSIL70A-XXXXXXX	6X6	6X6	6X6	6X6	6X6	6X6
	9X9	9X9	9X9	9X9	9X9	9X9
	11 X 11	11 X 11	11 X 11	11 X 11	11 X 11	11 X 11
	16 X 16	16 X 16	16 X 16	16 X 16	16 X 16	16 X 16
ECR22560-SH000-CSIL60A-XXXXXXX	6X6	6X6	6X6	6X6	6X6	6X6
	9X9	9X9	9X9	9X9	9X9	9X9
	11 X 11	11 X 11	11 X 11	11 X 11	11 X 11	11 X 11
	16 X 16	16 X 16	16 X 16	16 X 16	16 X 16	16 X 16
ECR22545-SH000-CSIL45A-XXXXXXX	6X6	6X6	6X6	6X6	6X6	6X6
	9X9	9X9	9X9	9X9	9X9	9X9
	11 X 11	11 X 11	11 X 11	11 X 11	11 X 11	11 X 11
	16 X 16	16 X 16	16 X 16	16 X 16	16 X 16	16 X 16

Example: for 0.032" thick x 11W x 11L sheet (Silver Coated Copper Filled Silicone)

Order Part number: [ECR101-SH000-SCSIL-1111032](#)

NOTE:

SEND OR EMAIL YOUR RFQ TO: [714-657-8819](tel:714-657-8819) / [714-582-7718](tel:714-582-7718) / [714-414-0977](tel:714-414-0977) EMAIL: emigaskets@gmail.com.

Carbon Filled Silicone 45 durometer (ECR-22545)	Monel Wire in Silicone / Sponge / Fluorosilicone (ECR-400 Series)
Carbon Filled Silicone 70 durometer (ECR-22570)	Aluminum Wire in Silicone / Sponge / Fluorosilicone (ECR-500 Series)
Carbon Filled EPDM 75 durometer (ECR-22275)	SnPhBronze Wire in Silicone / Sponge / Fluorosilicone (ECR-600 Series)
Carbon Filled Neoprene 60 durometer (ECR-239)	Monel Wire Mesh in Silicone / Sponge / Fluorosilicone (ECR-700 Series)
Nickel Coated Graphite Filled Neoprene (ECR-236)	Aluminum Wire Mesh in Silicone / Sponge / Fluorosilicone (ECR-800 Series)
Nickel Coated Graphite Filled Nitrile (ECR-238)	Tin Plated Copper Wire in Silicone / Sponge / Fluorosilicone (ECR-800 Series)
Nickel Coated Graphite Filled EPDM (ECR-218)	
Carbon Filled Fluorosilicone (ECR-226)	
Graphite Filled Silicone (ECR-230)	
Nickel Coated Graphite Filled Silicone Sponge (ECR-230)	
Silver plated Aluminum Filled Silicone Sponge (ECR-233)	
Silver plated Glass Filled Silicone Sponge (ECR-234)	
Silver plated Aluminum Filled EPDM (ECR-217)	
Nickel Coated Aluminum Filled EPDM (ECR-200)	
Silver plated Nickel Filled EPDM (ECR-216)	
Silver plated Glass Filled EPDM (ECR-212)	
Silver plated Copper Filled EPDM (ECR-201)	

NOTE:

WE DO CUSTOM DIE CUT, MOLDED, EXTRUDED, FORM-IN, VULCANIZED RUBBER TO METAL GASKETS IN ALL DIFFERENT MATERIAL TO FIT YOUR APPLICATION. PLEASE CALL US at 714.414.0977 / 714.582.7718 / 714.657.8819 / 714.414.1179
 EMAIL at : emigaskets@gmail.com and visit us online at [HTTP://www.emiconductiverubberllc.com](http://www.emiconductiverubberllc.com)



<u>GASKET DESCRIPTION</u>	P/N
EMI/RFI CIRCULAR STRIP	ECRXXX-CSTRIP001XXX
EMI/RFI O-RINGS	ECRXXX-ORING002XXX
EMI/RFI "D" SHAPE GASKETS	ECRXXX-DSTRIP003XXX
EMI/RFI CONNECTOR GASKETS	ECRXXX-CNECT0004XXX
EMI/RFI O-RING	ECRXXX-ORING005XXX
EMI/RFI GASKET, ELASTOMER, RECTANGULAR WITH "D" CROSS SECTION.	ECRXXX-RECTD006XXX
EMI/RFI GASKET, ELASTOMER, HOLLOW D-STRIP	ECRXXX-DSTRIP007XXX
EMI/RFI GASKET, ELASTOMER, P-STRIP	ECRXXX-PSTRIP008XXX
EMI/RFI GASKET, ELASTOMER, SOLID RECTANGULAR STRIP	ECRXXX-RSTRIP009XXX
EMI/RFI GASKET, ELASTOMER, CHANNEL U-STRIP	ECRXXX-USTRIP010XXX
EMI/RFI GASKET, ELASTOMER, HOLLOW O-STRIP	ECRXXX-OSTRIP011XXX
EMI/RFI GASKET, ELASTOMER, FLAT CIRCULAR WASHER	ECRXXX-CWASH012XXX
EMI/RFI, WAVEGUIDE	ECRXXX-WGUIDE013XXX
SHEET STOCK	ECRXXX-SH000-XXXXXXX

NOTE:

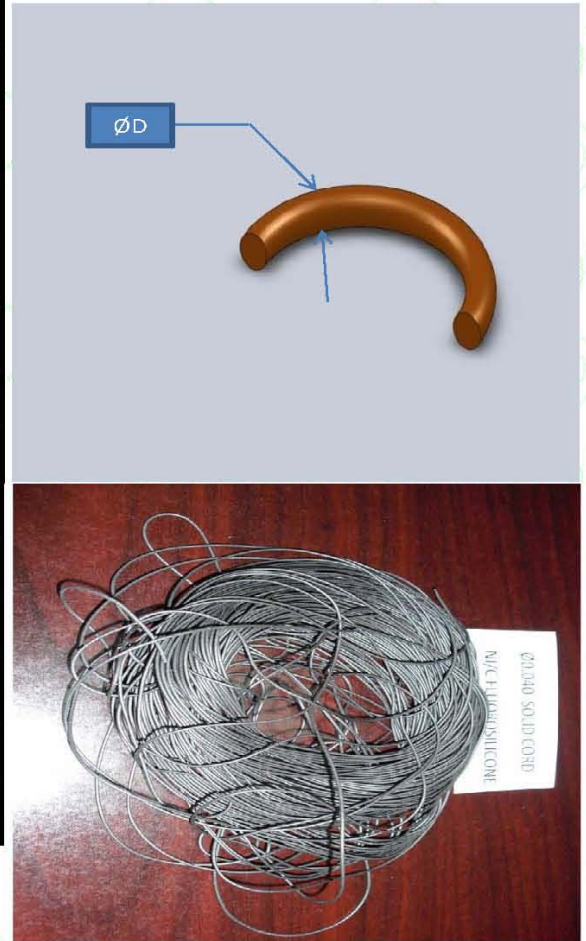
Available in all conductive elastomers. Please specify material when order.

WE DO CUSTOM DIE CUT, MOLDED, EXTRUDED, FORM-IN, VULCANIZED RUBBER TO METAL GASKETS IN ALL DIFFERENT

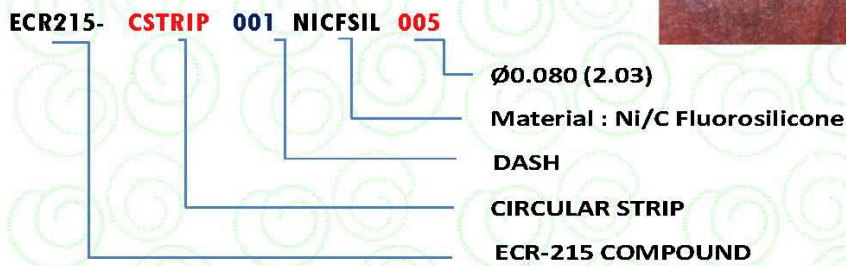
MATERIAL TO FIT YOUR APPLICATION. PLEASE CALL US at 714-582-7718 / 714-657-8819 / 714.414.0977

EMAIL at: emigaskets@gmail.com Website: [HTTP://www.emiconductiverubberllc.com](http://www.emiconductiverubberllc.com)

DASH NO.	ØD	P/N	X-SECTION AREA (cm ²)
001	.040 (1.02)	ECRXXX-CSTRIP001X001	0.008
002	.053 (1.35)	ECRXXX-CSTRIP001X002	0.014
003	.062 (1.57)	ECRXXX-CSTRIP001X003	0.02
004	.070 (1.78)	ECRXXX-CSTRIP001X004	0.025
005	.080 (2.03)	ECRXXX-CSTRIP001X005	0.032
006	.093 (2.36)	ECRXXX-CSTRIP001X006	0.043
007	.103 (2.62)	ECRXXX-CSTRIP001X007	0.053
008	.119 (3.02)	ECRXXX-CSTRIP001X008	0.072
009	.125 (3.18)	ECRXXX-CSTRIP001X009	0.079
010	.139 (3.53)	ECRXXX-CSTRIP001X010	0.099
011	.188 (4.78)	ECRXXX-CSTRIP001X011	0.179
012	.216 (5.49)	ECRXXX-CSTRIP001X012	0.236
013	.250 (6.35)	ECRXXX-CSTRIP001X013	0.316



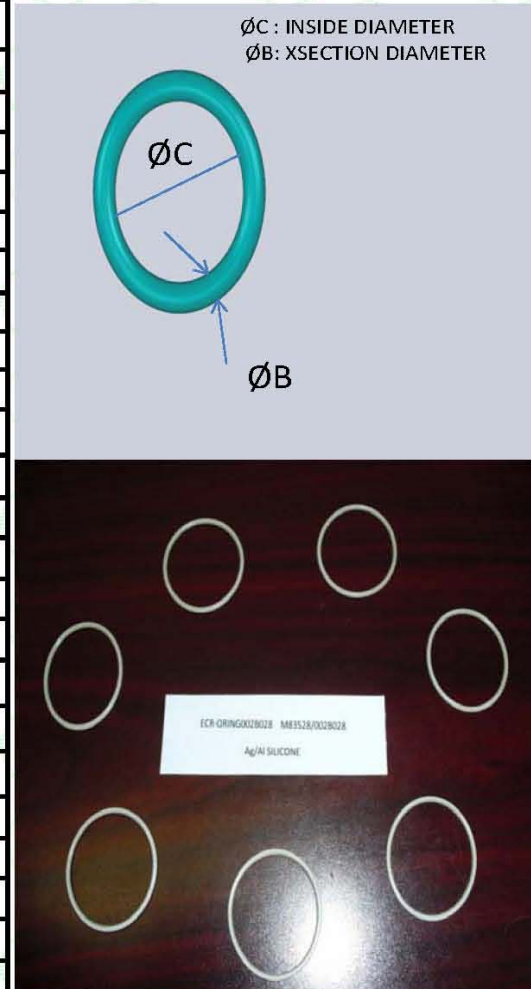
ORDER INFORMATION:



NOTE:

Available in all conductive elastomers. Please specify material when order.
 WE DO CUSTOM DIE CUT, MOLDED, EXTRUDED, FORM-IN, VULCANIZED RUBBER TO METAL GASKETS IN ALL DIFFERENT MATERIAL TO FIT YOUR APPLICATION. PLEASE CALL US at 714-582-7718 / 714-657-8819 / 714.414.0977 / 714-414-0977 (F)
 EMAIL at: emigaskets@gmail.com Website: HTTP://www.emiconductiverubberllc.com

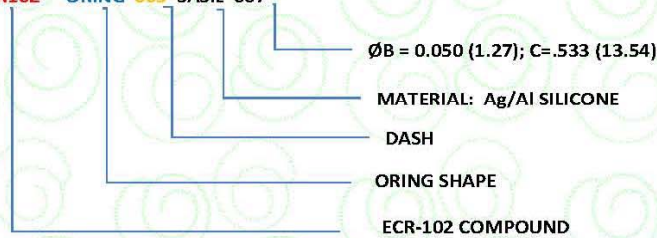
DASH NO.	ØB	C	P/N	X-SECTION AREA (cm**2)
001	.030 (.76)	.442 (11.23)	ECRXXX-ORING005X001	0.0046
002	.030 (.76)	.577 (14.66)	ECRXXX-ORING005X002	0.0046
003	.030 (.76)	.692 (17.58)	ECRXXX-ORING005X003	0.0046
004	.030 (.76)	.817 (20.75)	ECRXXX-ORING005X004	0.0046
005	.039 (.99)	.425 (10.80)	ECRXXX-ORING005X005	0.0077
006	.048 (1.22)	.295 (7.49)	ECRXXX-ORING005X006	0.0117
007	.050 (1.27)	.533 (13.54)	ECRXXX-ORING005X007	0.0127
008	.051 (1.30)	.446 (11.33)	ECRXXX-ORING005X008	0.0132
009	.057 (1.45)	.415 (10.54)	ECRXXX-ORING005X009	0.0165
010	.063 (1.60)	.541 (13.74)	ECRXXX-ORING005X010	0.0201
011	.063 (1.60)	.648 (16.46)	ECRXXX-ORING005X011	0.0201
012	.068 (1.73)	.847 (21.51)	ECRXXX-ORING005X012	0.0234
013	.068 (1.73)	1.182 (30.02)	ECRXXX-ORING005X013	0.0234
014	.068 (1.73)	3.165 (80.39)	ECRXXX-ORING005X014	0.0234
015	.070 (1.78)	.495 (12.57)	ECRXXX-ORING005X015	0.0248
016	.070 (1.78)	.610 (15.49)	ECRXXX-ORING005X016	0.0248
017	.070 (1.78)	.635 (16.13)	ECRXXX-ORING005X017	0.0248
018	.070 (1.78)	.667 (16.94)	ECRXXX-ORING005X018	0.0248
019	.070 (1.78)	.860 (21.84)	ECRXXX-ORING005X019	0.0248
020	.070 (1.78)	1.230 (31.24)	ECRXXX-ORING005X020	0.0248
021	.103 (2.62)	1.040 (26.42)	ECRXXX-ORING005X021	0.0538
022	.103 (2.62)	1.612 (40.94)	ECRXXX-ORING005X022	0.0538
023	.103 (2.62)	1.790 (45.47)	ECRXXX-ORING005X023	0.0538



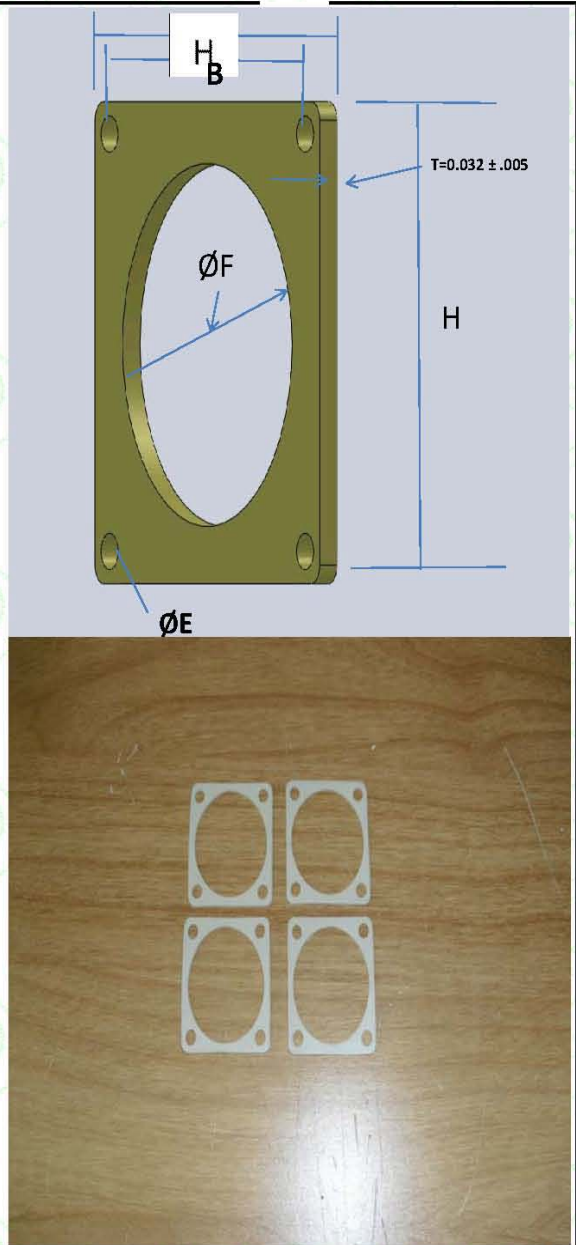
NOTE:

Available in all conductive elastomers. Please specify material when order.
 WE DO CUSTOM DIE CUT, MOLDED, EXTRUDED, FORM-IN, VULCANIZED RUBBER TO METAL GASKETS IN ALL DIFFERENT MATERIAL TO FIT YOUR APPLICATION. PLEASE CALL US at 714-582-7718 / 714-657-8819 / 714.414.0977 / 714-414-0977 (F)
 EMAIL at: emigaskets@gmail.com Website: HTTP://www.emiconductiverubberllc.com

EXAMPLE: ECR102 - ORING 005 SASIL 007



DASH NO.	B	ØF	H	ØE	P/N	X-SECTION AREA (cm**2)
001	.469 (11.91)	.375 (9.53)	.738 (18.75)	.141 (3.58)	ECRXXX-CNECT004X001	0.037
002	.594 (15.09)	.600 (16.00)	.800 (21.34)	.125 (3.18)	ECRXXX-CNECT004X002	0.022
003	.594 (15.09)	.568 (14.43)	.812 (20.62)	.125 (3.18)	ECRXXX-CNECT004X003	0.025
004	.594 (15.09)	.500 (12.70)	.875 (22.23)	.156 (3.96)	ECRXXX-CNECT004X004	0.039
005	.719 (18.26)	.750 (19.05)	.965 (24.51)	.135 (3.43)	ECRXXX-CNECT004X005	0.022
006	.719 (18.26)	.680 (17.27)	.937 (23.80)	.125 (3.18)	ECRXXX-CNECT004X006	0.027
007	.719 (18.26)	.625 (15.88)	1.000 (25.40)	.156 (3.96)	ECRXXX-CNECT004X007	0.039
008	.812 (20.62)	.875 (22.23)	1.060 (26.92)	.141 (3.58)	ECRXXX-CNECT004X008	0.019
009	.812 (20.62)	.750 (22.10)	1.094 (27.79)	.141 (3.58)	ECRXXX-CNECT004X009	0.036
010	.906 (23.01)	1.005 (25.53)	1.153 (29.29)	.135 (3.43)	ECRXXX-CNECT004X010	0.015
011	.906 (23.01)	.938 (23.83)	1.125 (28.58)	.125 (3.18)	ECRXXX-CNECT004X011	0.019
012	.906 (23.01)	.875 (22.23)	1.188 (30.18)	.156 (3.96)	ECRXXX-CNECT004X012	0.032
013	.969 (24.61)	1.135 (28.83)	1.250 (31.95)	.156 (3.96)	ECRXXX-CNECT004X013	0.013
014	.969 (24.61)	1.062 (27.00)	1.250 (31.75)	.125 (3.18)	ECRXXX-CNECT004X014	0.019
015	.969 (24.61)	1.000 (25.40)	1.281 (32.54)	.156 (3.96)	ECRXXX-CNECT004X015	0.029
016	1.062 (26.97)	1.260 (32.00)	1.351 (34.32)	.156 (3.96)	ECRXXX-CNECT004X016	0.009
017	1.062 (26.97)	1.189 (30.20)	1.343 (34.11)	.125 (3.18)	ECRXXX-CNECT004X017	0.016
018	1.062 (26.97)	1.135 (28.83)	1.375 (34.93)	.156 (3.96)	ECRXXX-CNECT004X018	0.025
019	1.156 (29.36)	1.375 (34.93)	1.500 (38.10)	.141 (3.58)	ECRXXX-CNECT004X019	0.013
020	1.156 (29.36)	1.312 (33.32)	1.467 (37.26)	.125 (3.18)	ECRXXX-CNECT004X020	0.016
021	1.156 (29.36)	1.250 (31.75)	1.500 (38.10)	.172 (4.37)	ECRXXX-CNECT004X021	0.016
022	1.250 (31.75)	1.500 (38.10)	1.625 (41.28)	.141 (3.58)	ECRXXX-CNECT004X022	0.026
023	1.250 (31.75)	1.437 (36.50)	1.562 (39.67)	.125 (3.18)	ECRXXX-CNECT004X023	0.013
024	1.250 (31.75)	1.375 (34.93)	1.625 (41.28)	.172 (4.37)	ECRXXX-CNECT004X024	0.013
025	1.375 (34.93)	1.625 (41.28)	1.750 (44.45)	.172 (4.37)	ECRXXX-CNECT004X025	0.026
026	1.375 (34.93)	1.562 (39.70)	1.703 (43.26)	.152 (3.86)	ECRXXX-CNECT004X026	0.013
027	1.375 (34.93)	1.500 (38.10)	1.750 (44.45)	.203 (5.16)	ECRXXX-CNECT004X027	0.015
028	1.500 (38.10)	1.750 (44.45)	1.875 (47.63)	.172 (4.37)	ECRXXX-CNECT004X028	0.016
029	1.562 (39.67)	1.750 (44.45)	2.000 (50.80)	.203 (5.16)	ECRXXX-CNECT004X029	0.013
030	1.750 (44.45)	2.000 (50.80)	2.250 (57.15)	.219 (5.56)	ECRXXX-CNECT004X030	0.026
031	1.938 (49.23)	2.250 (57.15)	2.500 (63.50)	.219 (5.56)	ECRXXX-CNECT004X031	0.026
032	2.188 (55.58)	2.500 (63.50)	2.750 (69.85)	.219 (5.56)	ECRXXX-CNECT004X032	0.026
033	2.375 (60.33)	2.781 (70.63)	3.000 (76.20)	.219 (5.56)	ECRXXX-CNECT004X033	0.023
034	2.625 (66.68)	3.031 (76.99)	3.250 (82.55)	.219 (5.56)	ECRXXX-CNECT004X034	0.023
035	.500 (12.70)	.437 (11.10)	.800 (20.32)	.135 (3.43)	ECRXXX-CNECT004X035	0.037
036	.500 (12.70)	.437 (11.10)	.687 (17.45)	.135 (3.43)	ECRXXX-CNECT004X036	0.026



ORDER INFORMATION:

ECR101- CNECT 004 SCSIL 005

ØF=0.375 (9.53); H=.738 (18.75)
ØE=.141 (3.58)

MATERIAL : AG/CU SILICONE

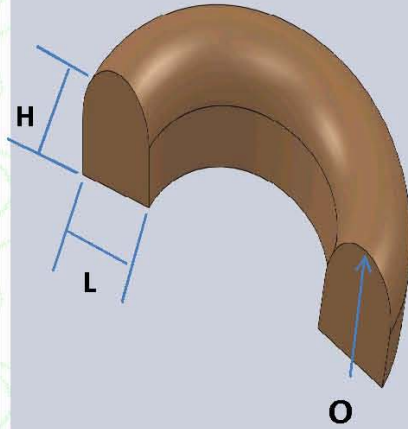
DASH

CONNECTOR GASKET
ECR-101 COMPOUND

NOTE:

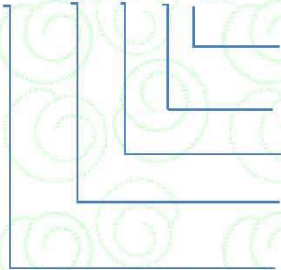
Available in all conductive elastomers. Please specify material when order.
WE DO CUSTOM DIE CUT, MOLDED, EXTRUDED, FORM-IN, VULCANIZED RUBBER TO METAL GASKETS IN ALL DIFFERENT MATERIAL TO FIT YOUR APPLICATION. PLEASE CALL US at 714-582-7718 / 714-657-8819 / 714.414.0977 / 714-414-0977 (F)
EMAIL at: emigaskets@gmail.com Website: HTTP://www.emiconductiverubberllc.com

DASH NO.	Ø	L	H	P/N	X-SECTION AREA (cm ²)
001	.031 (0.78)	.062 (1.57)	.068 (1.73)	E CR00X-DSTRIP 003X001	0.025
002	.047 (1.19)	.094 (2.39)	.078 (1.98)	E CR00X-DSTRIP 003X002	0.041
003	.039 (0.99)	.078 (1.98)	.089 (2.26)	E CR00X-DSTRIP 003X003	0.041
004	.047 (1.19)	.094 (2.39)	.094 (2.39)	E CR00X-DSTRIP 003X004	0.050
005	.031 (0.78)	.062 (1.57)	.100 (2.54)	E CR00X-DSTRIP 003X005	0.037
006	.075 (1.91)	.150 (3.81)	.110 (2.79)	E CR00X-DSTRIP 003X006	0.091
007	.061 (1.55)	.122 (3.10)	.135 (3.43)	E CR00X-DSTRIP 003X007	0.097
008	.059 (1.49)	.118 (3.00)	.156 (3.96)	E CR00X-DSTRIP 003X008	0.109
009	.078 (1.98)	.156 (3.96)	.156 (3.96)	E CR00X-DSTRIP 003X009	0.140
010	.089 (2.26)	.178 (4.52)	.175 (4.45)	E CR00X-DSTRIP 003X010	0.179
011	.094 (2.39)	.188 (4.78)	.188 (4.78)	E CR00X-DSTRIP 003X011	0.203
012	.125 (3.18)	.250 (6.35)	.250 (6.35)	E CR00X-DSTRIP 003X012	0.360



ORDER INFORMATION:

ECR215 DSTRIP 003 NICSIL 005



Ø0.031 (0.78); L=0.062 (1.57);
H=.100 (2.54)

MATERIAL : Ni/C F.SILICONE

DASH

D-SHAPE STRIP

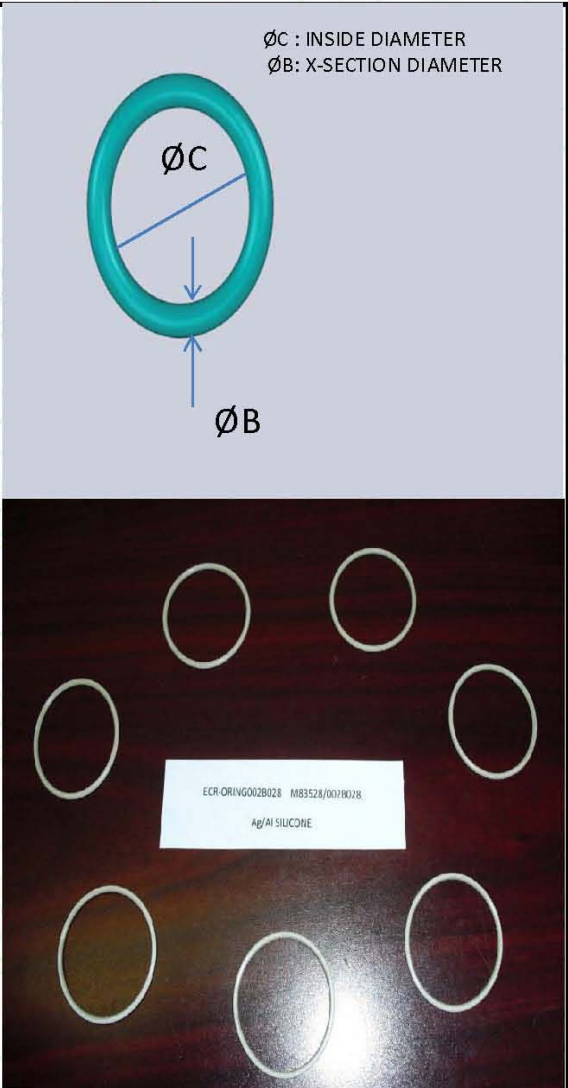
ECR-101 COMPOUND

NOTE

Available in all conductive elastomers. Please specify material when order.
 WE DO CUSTOM DIE CUT, MOLDED, EXTRUDED, FORM-IN, VULCANIZED RUBBER TO METAL GASKETS IN ALL DIFFERENT
 MATERIAL TO FIT YOUR APPLICATION. PLEASE CALL US at 714-582-7718 / 714-657-8819 / 714.414.0977 / 714-414-0977 (F)
 EMAIL at: emigaskets@gmail.com Website: HTTP://www.emiconductiverubberllc.com



DASH NO.	ØB	C	P/N	X-SECTION AREA (cm ²)
007	.070 (1.78)	.145 (3.68)	ECRXXX-ORING002X007	0.025
011	.070 (1.78)	.301 (7.65)	ECRXXX-ORING002X011	0.025
012	.070 (1.78)	.364 (9.25)	ECRXXX-ORING002X012	0.025
013	.070 (1.78)	.426 (10.82)	ECRXXX-ORING002X013	0.025
014	.070 (1.78)	.489 (12.42)	ECRXXX-ORING002X014	0.025
015	.070 (1.78)	.551 (13.99)	ECRXXX-ORING002X015	0.025
017	.070 (1.78)	.676 (17.17)	ECRXXX-ORING002X017	0.025
018	.070 (1.78)	.739 (18.77)	ECRXXX-ORING002X018	0.025
019	.070 (1.78)	.801 (20.34)	ECRXXX-ORING002X019	0.025
020	.070 (1.78)	.864 (21.94)	ECRXXX-ORING002X020	0.025
021	.070 (1.78)	.926 (23.52)	ECRXXX-ORING002X021	0.025
022	.070 (1.78)	.989 (25.12)	ECRXXX-ORING002X022	0.025
024	.070 (1.78)	1.114 (28.30)	ECRXXX-ORING002X024	0.025
026	.070 (1.78)	1.239 (31.47)	ECRXXX-ORING002X026	0.025
028	.070 (1.78)	1.364 (34.65)	ECRXXX-ORING002X028	0.025
114	.103 (2.62)	.612 (15.54)	ECRXXX-ORING002X114	0.054
115	.103 (2.62)	.676 (17.17)	ECRXXX-ORING002X115	0.054
117	.103 (2.62)	.799 (20.29)	ECRXXX-ORING002X117	0.054
126	.103 (2.62)	1.362 (34.59)	ECRXXX-ORING002X126	0.054
128	.103 (2.62)	1.487 (37.77)	ECRXXX-ORING002X128	0.054
132	.103 (2.62)	1.737 (44.12)	ECRXXX-ORING002X132	0.054
134	.103 (2.62)	1.862 (47.30)	ECRXXX-ORING002X134	0.054
142	.103 (2.62)	2.362 (59.99)	ECRXXX-ORING002X142	0.054
145	.103 (2.62)	2.550 (64.77)	ECRXXX-ORING002X145	0.054
155	.103 (2.62)	3.987 (101.27)	ECRXXX-ORING002X155	0.054

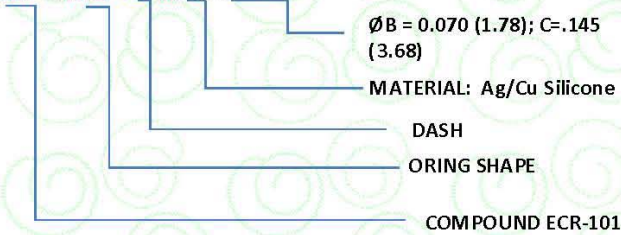


NOTE:

Available in all conductive elastomers. Please specify material when order.
WE DO CUSTOM DIE CUT, MOLDED, EXTRUDED, FORM-IN, VULCANIZED RUBBER TO METAL GASKETS IN ALL DIFFERENT MATERIAL TO FIT YOUR APPLICATION. PLEASE CALL US at 714-582-7718 / 714-657-8819 / 714.414.0977 / 714-414-0977 (F)
 EMAIL at: emigaskets@gmail.com Website: HTTP://www.emiconductiverubberllc.com

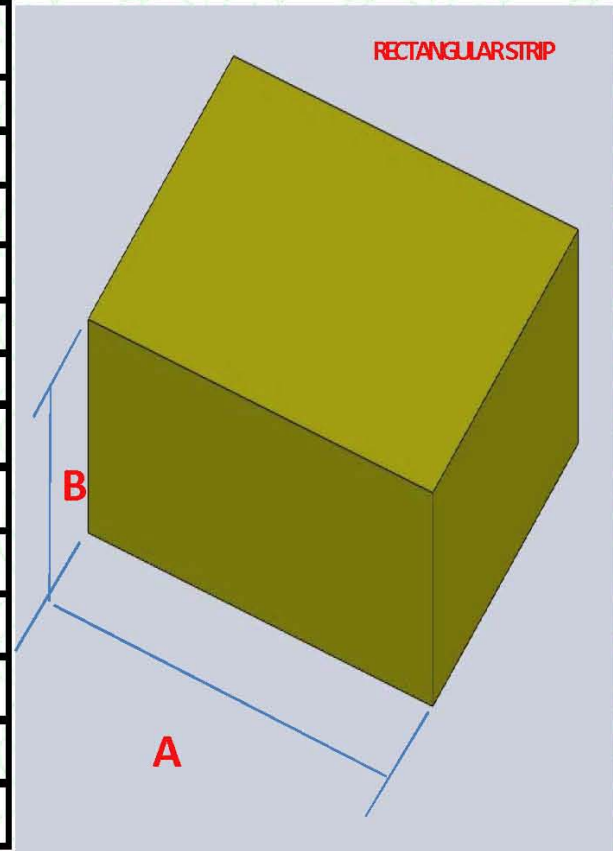
ORDER INFORMATION:

EXAMPLE: **ECR101 - ORING 002 SCSIL 007**





DASHNO.	A	B	P/N	XSECTION AREA (cm ²)
001	0.063 (1.60)	0.042 (1.07)	ECR000RSTRIP009X001	0.017
002	0.095 (2.41)	0.062 (1.57)	ECR000RSTRIP009X002	0.038
003	0.120 (3.05)	0.075 (1.91)	ECR000RSTRIP009X003	0.058
004	0.125 (3.18)	0.062 (1.57)	ECR000RSTRIP009X004	0.050
005	0.156 (3.96)	0.062 (1.57)	ECR000RSTRIP009X005	0.062
006	0.250 (6.35)	0.062 (1.57)	ECR000RSTRIP009X006	0.100
007	0.500 (12.70)	0.075 (1.91)	ECR000RSTRIP009X007	0.242
008	0.500 (12.70)	0.125 (3.18)	ECR000RSTRIP009X008	0.403
009	0.500 (12.70)	0.188 (4.78)	ECR000RSTRIP009X009	0.606
010	0.750 (19.05)	0.062 (1.57)	ECR000RSTRIP009X010	0.300
011	0.880 (22.35)	0.062 (1.57)	ECR000RSTRIP009X011	0.352
012	1.000 (25.40)	0.250 (6.35)	ECR000RSTRIP009X012	1.613
013	1.180 (29.97)	0.062 (1.57)	ECR000RSTRIP009X013	0.472

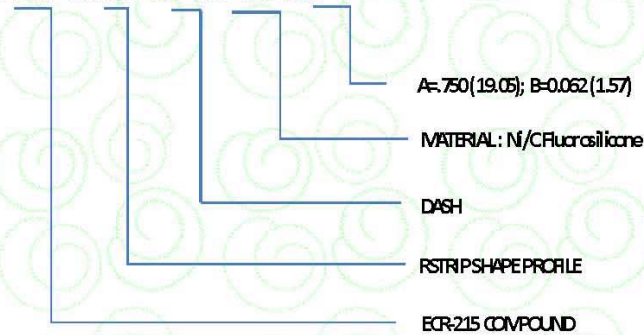


NOTE:

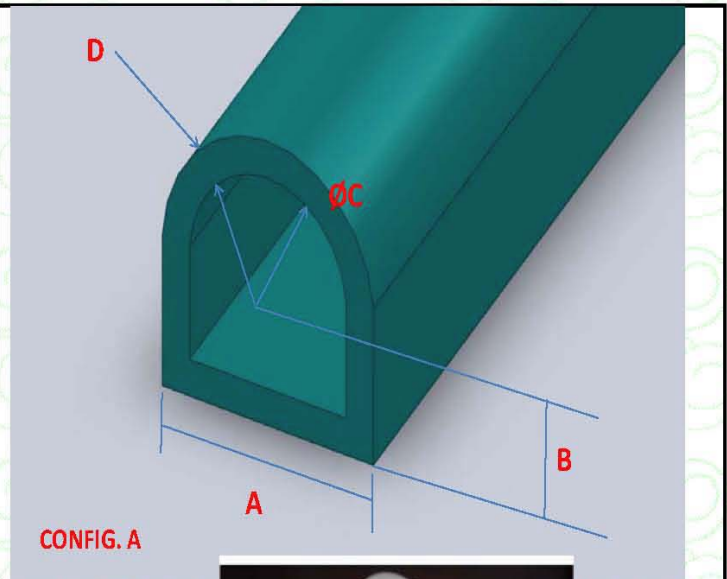
Available in all conductive elastomers. Please specify material when order.
 WE DO CUSTOM DIE CUT, MOLDED, EXTRUDED, FORM-IN, VULCANIZED RUBBER TO METAL GASKETS IN ALL DIFFERENT MATERIAL TO FIT YOUR APPLICATION. PLEASE CALL US at 714-582-7718 / 714-657-8819 / 714.414.0977 / 714-414-0977 (F)
 EMAIL at: emigaskets@gmail.com Website: HTTP://www.emiconductiverubberllc.com

ORDER INFORMATION:

ECR215 RSTRIP 009 NCF SIL 010



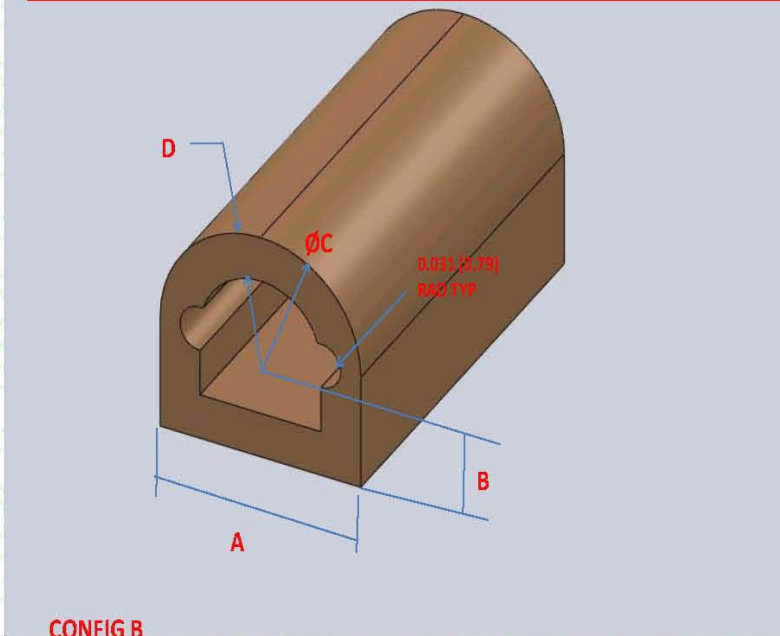
DASH NO.	A	B	BC	D	P/N	X-SECTION AREA (cm**2)
001	.156 (3.96)	.078 (1.98)	.078 (1.98)	.045 (1.14)	ECR00X-DSTRIP007X001	0.116
002	.187 (4.75)	.093 (2.36)	.093 (2.36)	.050 (1.27)	ECR00X-DSTRIP007X002	0.156
003	.312 (7.92)	.156 (3.96)	.156 (3.96)	.062 (1.57)	ECR00X-DSTRIP007X003	0.356
004 *	.312 (7.92)	.156 (3.96)	.156 (3.96)	.062 (1.57)	ECR00X-DSTRIP007X004	0.337
005	.312 (7.92)	.200 (5.08)	.112 (2.84)	.062 (1.57)	ECR00X-DSTRIP007X005	0.334
006	.487 (12.37)	.080 (2.03)	.244 (6.20)	.080 (2.03)	ECR00X-DSTRIP007X006	0.582
007	.250 (6.35)	.125 (3.18)	.125 (3.18)	.065 (1.65)	ECR00X-DSTRIP007X007	0.227



CONFIGURATION B IS ONLY AVAILABLE IN DASH 004

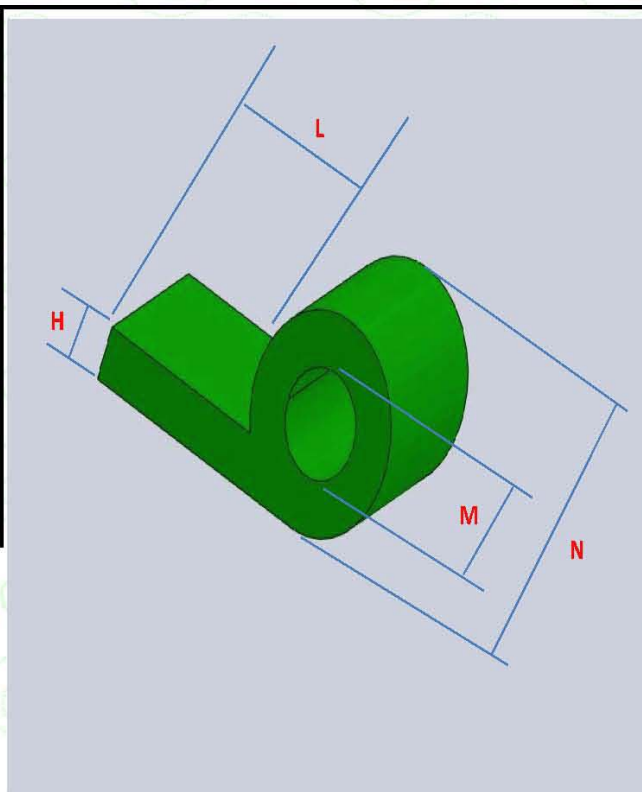
NOTE:

Available in all conductive elastomers. Please specify material when order.
 WE DO CUSTOM DIE CUT, MOLDED, EXTRUDED, FORM-IN, VULCANIZED RUBBER TO METAL GASKETS IN ALL DIFFERENT MATERIAL TO FIT YOUR APPLICATION. PLEASE CALL US at 714-582-7718 / 714-657-8819 / 714.414.0977 / 714-414-0977 (F)
 EMAIL at: emigaskets@gmail.com Website: HTTP://www.emiconductiverubberllc.com



ECR101- DSTRIP 007/B SC51L 004
 A=.312 (7.92); B=.156 (3.96)
 C=.156 (3.96); D=0.062 (1.57)
 MATERIAL : Ag/Cu SILICONE
 DASH
 DSTRIP SHAPE (CONFIG B)
 ECR-101 COMPOUND

DASH NO.	N	M	L	H	P/N	X-SECTION AREA (cm ²)
001	.200 (5.08)	.080 (2.03)	.065 (1.65)	.062 (1.57)	ECRXXX-PSTRIP008X001	0.430
002	.200 (5.08)	.125 (3.18)	.250 (6.35)	.062 (1.57)	ECRXXX-PSTRIP008X002	0.359
003	.200 (5.08)	.125 (3.18)	.375 (9.53)	.062 (1.57)	ECRXXX-PSTRIP008X003	0.409
004	.200 (5.08)	.150 (3.94)	.375 (9.53)	.062 (1.57)	ECRXXX-PSTRIP008X004	0.374
005	.312 (7.92)	.187 (4.75)	.563 (14.30)	.062 (1.57)	ECRXXX-PSTRIP008X005	0.585
006	.360 (9.14)	.255 (6.48)	.420 (10.67)	.070 (1.79)	ECRXXX-PSTRIP008X006	0.562
007	.200 (5.08)	.080 (2.03)	.275 (6.99)	.062 (1.57)	ECRXXX-PSTRIP008X007	0.294
008	.250 (6.35)	.125 (3.18)	.625 (15.88)	.062 (1.57)	ECRXXX-PSTRIP008X008	0.509

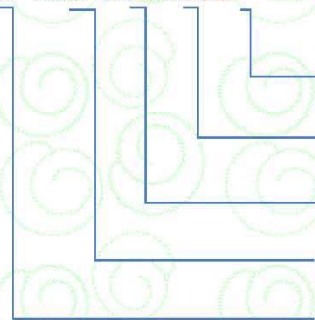


NOTE:

Available in all conductive elastomers. Please specify material when order.
 WE DO CUSTOM DIE CUT, MOLDED, EXTRUDED, FORM-IN, VULCANIZED RUBBER TO METAL GASKETS IN ALL DIFFERENT MATERIAL TO FIT YOUR APPLICATION. PLEASE CALL US at 714-582-7718 / 714-657-8819 / 714.414.0977 / 714-414-0977 (F)
 EMAIL at : emigaskets@gmail.com Website: HTTP://www.emiconductiverubberllc.com

ORDER INFORMATION:

ECR213- PSTRIP 008 NICSIL 008



N=.250 (6.35); M=.125 (3.18);
 L=.625 (15.88); H=.0625 (1.57)

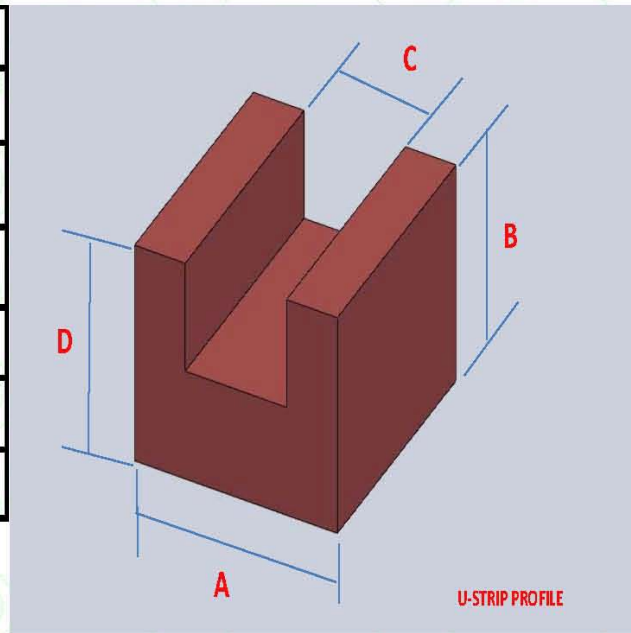
MATERIAL : Ni/C Silicone

DASH

P-STRIP PROFILE

ECR-213 Compound

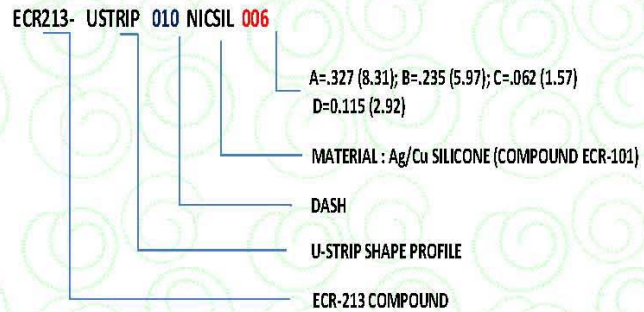
DASH NO.	A	B	C	D	P/N	X-SECTION AREA (cm ²)
001	0.100 (2.54)	0.100 (2.54)	0.034 (0.86)	0.033 (0.84)	ECR000X-USTRIP010X001	0.050
002	0.126 (3.20)	0.110 (2.79)	0.025 (0.64)	0.050 (1.27)	ECR000X-USTRIP010X002	0.079
003	0.126 (3.20)	0.225 (5.72)	0.020 (0.51)	0.075 (1.91)	ECR000X-USTRIP010X003	0.164
004	0.156 (3.96)	0.156 (3.96)	0.062 (1.57)	0.047 (1.19)	ECR000X-USTRIP010X004	0.113
005	0.175 (4.45)	0.156 (3.96)	0.047 (1.19)	0.075 (1.91)	ECR000X-USTRIP010X005	0.152
006	0.327 (8.31)	0.235 (5.97)	0.062 (1.57)	0.115 (2.92)	ECR000X-USTRIP010X006	0.448



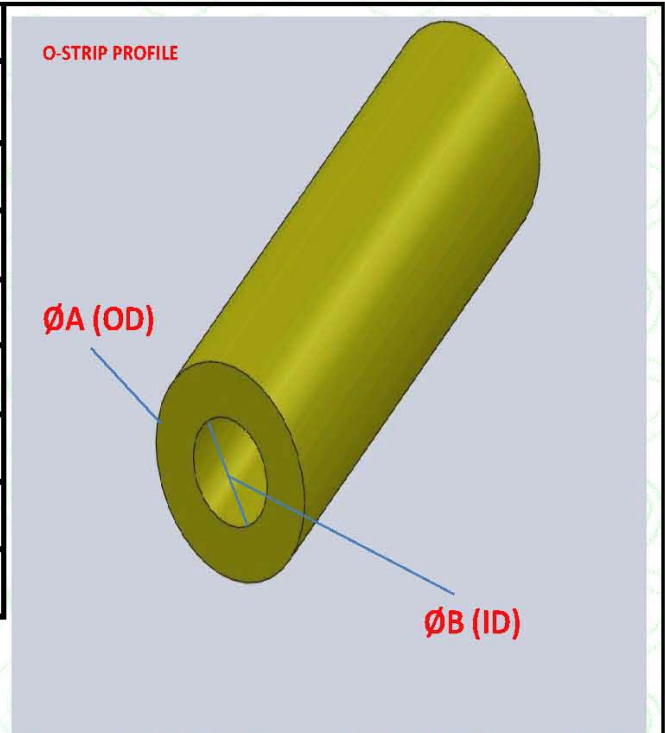
NOTE:

Available in all conductive elastomers. Please specify material when order.
 WE DO CUSTOM DIE CUT, MOLDED, EXTRUDED, FORM-IN, VULCANIZED RUBBER TO METAL GASKETS IN ALL DIFFERENT MATERIAL TO FIT YOUR APPLICATION. PLEASE CALL US at 714-582-7718 / 714-657-8819 / 714.414.0977 / 714-414-0977 (F)
 EMAIL at: emigaskets@gmail.com Website: HTTP://www.emiconductiverubberllc.com

ORDER INFORMATION:



DASH NO.	ØA (OD)	ØB (ID)	P/N	X-SECTION AREA (cm ²)
001	0.125 (3.18)	0.045 (1.14)	ECRXXX-OSTRIP011X001	0.069
002	0.156 (3.96)	0.050 (1.27)	ECRXXX-OSTRIP011X002	0.111
003	0.250 (6.35)	0.125 (3.18)	ECRXXX-OSTRIP011X003	0.237
004	0.312 (7.92)	0.192 (4.88)	ECRXXX-OSTRIP011X004	0.306
005	0.375 (9.53)	0.250 (6.35)	ECRXXX-OSTRIP011X005	0.396
006	0.125 (3.18)	0.062 (1.57)	ECRXXX-OSTRIP011X006	0.060
007	0.103 (2.62)	0.040 (1.02)	ECRXXX-OSTRIP011X007	0.046
008	0.177 (4.50)	0.079 (2.01)	ECRXXX-OSTRIP011X008	0.127

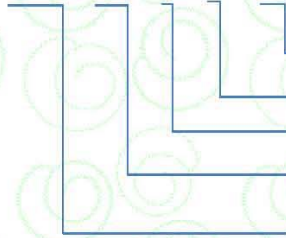


NOTE:

Available in all conductive elastomers. Please specify material when order.
 WE DO CUSTOM DIE CUT, MOLDED, EXTRUDED, FORM-IN, VULCANIZED RUBBER TO METAL GASKETS IN ALL DIFFERENT MATERIAL TO FIT YOUR APPLICATION. PLEASE CALL US at 714-582-7718 / 714-657-8819 / 714.414.0977 / 714-414-0977 (F)
 EMAIL at: emigaskets@gmail.com Website: HTTP://www.emiconductiverubberllc.com

ORDER INFORMATION:

ECRXXX- OSTRIP 011 SCSIL 008



ØA=.177 (4.50); ØB=.079 (2.01)

MATERIAL : AG/CU SILICONE

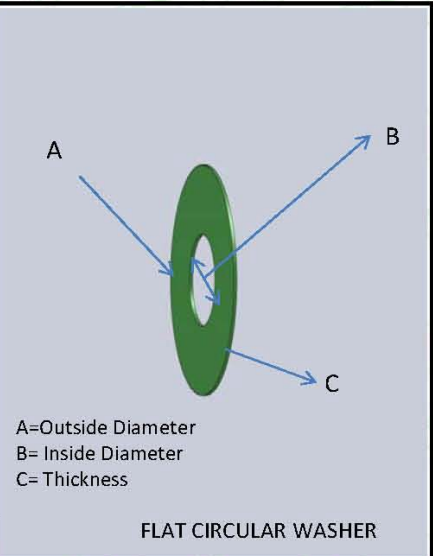
DASH

O-STRIP SHAPE PROFILE

ECR-101 COMPOUND



DASH NO.	A	B	C	P/N	X-SECTION AREA (cm**2)
001	.250 (6.35)	.625 (15.86)	.031 (0.79)	ECRXXX-FCWASH012X001	0.038
002	.250 (6.35)	.625 (15.86)	.062 (1.57)	ECRXXX-FCWASH012X002	0.075
003	.375 (9.53)	.750 (19.05)	.031 (0.79)	ECRXXX-FCWASH012X003	0.038
004	.375 (9.53)	.750 (19.05)	.062 (1.57)	ECRXXX-FCWASH012X004	0.075
005	.500 (12.70)	.656 (16.66)	.031 (0.79)	ECRXXX-FCWASH012X005	0.016
006	.500 (12.70)	.656 (16.66)	.062 (1.57)	ECRXXX-FCWASH012X006	0.031
007	.500 (12.70)	.875 (22.23)	.031 (0.79)	ECRXXX-FCWASH012X007	0.037
008	.500 (12.70)	.875 (22.23)	.062 (1.57)	ECRXXX-FCWASH012X008	0.075
009	.750 (19.50)	1.000 (25.40)	.031 (0.79)	ECRXXX-FCWASH012X009	0.025
010	.750 (19.50)	1.000 (25.40)	.062 (1.57)	ECRXXX-FCWASH012X010	0.05
011	1.000 (25.40)	1.438 (36.53)	.031 (0.79)	ECRXXX-FCWASH012X011	0.044
012	1.000 (25.40)	1.438 (36.53)	.062 (1.57)	ECRXXX-FCWASH012X012	0.088



NOTE:

Available in all conductive elastomers. Please specify material when order.
 WE DO CUSTOM DIE CUT, MOLDED, EXTRUDED, FORM-IN, VULCANIZED RUBBER TO METAL GASKETS IN ALL DIFFERENT MATERIAL TO FIT YOUR APPLICATION. PLEASE CALL US at 714-582-7718 / 714-657-8819 / 714.414.0977 / 714-414-0977 (F)
 EMAIL at: emigaskets@gmail.com Website: HTTP://www.emiconductiverubberllc.com

ORDER INFORMATION:

ECR215- FCWASH012 NICFSIL 008

A=.250 (6.35); B=.625 (15.86)
C=.031 (.79)

Material : Ni/C Fluorosilicone

FLAT CIRCULAR WASHER

ECR-215 COMPOUND